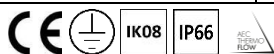


ALO 1

MAIN CHARACTERISTICS

Applications	Wide area lighting and sports facilities.
Optic	<p>SP: Symmetric optic for projection. ASN: Asymmetric optic for projection, narrow emission. ASW: Asymmetric optic for projection, wide emission. BAC: Bidirectional asymmetric optic for projection, central emission. BAR/BAL: Bidirectional asymmetric optic for projection, right/left emission. Colour temperature: 4000K CRI ≥ 70 5700K CRI ≥ 70 (optional CRI 80, CRI 90) LED source efficiency: 180 lm/W @ 525mA, Tj=85°C, 4000K</p>
Insulation class	I
Grado di protezione	IP66 IK08 total
Tilt Angle	<p>C bracket: +20° ÷ +75° on horizontal plane with steps graduated in 5° controlled steps. Micro-adjustment with slots ±2.5° (0.5° step) for intermediate values to the main adjustment. MICROMOOVER: +20° ÷ +75° on horizontal plane. Micro-adjustment 0/+10° for intermediate values to the main setting. Adjustment on vertical axis: ±180°.</p>
Dimensions	See the drawing
Weight	max 12.2 kg (excluded gear tray)
Exposed surface	Side: 0.03 m ² – Top: 0.14 m ²
Mounting	Installation with C bracket or MICROMOOVER.
Gear tray	Remote. (Power supply size 240x125 H=45mm - Weight: 2.7 kg). Mounting over luminaire body with integrated flanges (optional only with C bracket).
Operating temp.	-40°C / +45°C
Storage temperature	-40°C / +80°C
Main reference standards	EN 60598-1, EN 60598-2-3, EN 60598-2-5, EN 62471, EN 55015, EN 61547, EN 61000-3-2, EN 61000-3-3



ELECTRICAL CHARACTERISTICS

Rated voltage	220÷400V 50/60Hz (Standard tolerance +/-10%, other voltages and tolerances upon request)
Power factor	>0,9 (at full load)
Flicker factor (FF)	< 3%
Mains connection	On terminal block for cables max. section 4mm ²
Surge protection	Pulse withstand ≥ 10kV CM/DM
Control system (options)	<p>F: Fixed power not dimmable. FLC: Constant light flux. DALI: Digital dimming interface DALI. DMX: Digital dimming interface through DMX control.</p>
Optical unit lifetime (Tq=25°C)	>50.000hr L80B10, 1600mA

MATERIALS

Fixing	Galvanized steel powder painted.
Body - Heat-sink	Die-cast aluminum UNI EN1706 powder painted.
Optic	High efficiency metallized polycarbonate.
Screen	Flat tempered glass, 5mm thickness high transparency.
Cable gland	Metallic M20 x 1.5 - IP68
Gasket	Silicone
Color	Matt satin grey RAL 7004 - Cod. 7J

OPTIONAL

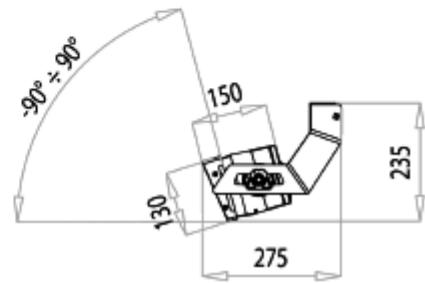
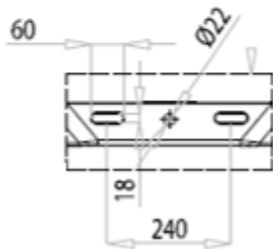
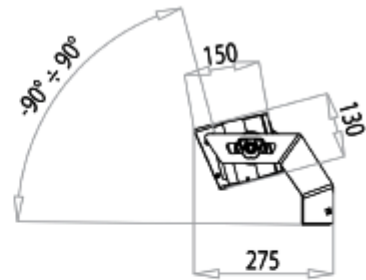
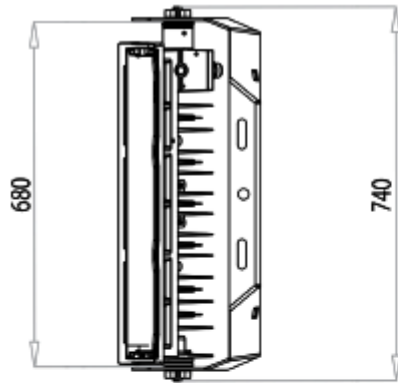
ES	External Shield.
BES	Back External Shield.
Red Dot Sight	Pointer for spot adjustments.
Power supply support	Support for integrated power supply mounting on floodlight (only C bracket version).





DIMENSIONAL DRAWINGS

ALO with C bracket



ALO with MICROMØVER

