

GALILEO 3

MAIN CHARACTERISTICS

Applications	Flood lighting, large areas and street lighting.
Optic	ASP / ASC: Multi-focal asymmetric optic with adjustable emission. Colour temperature: 4000K (3000K, 5700K optional), CRI ≥ 70 Photobiological safety class: EXEMPT GROUP LED source efficiency: 138 lm/W @ 700mA, T _j =85°C, 4000K
Insulation class	I
Protection degree	IP66 IK08
LED Modules	Removable / Replaceable optical unit
Tilt Angle	See dimensional drawings section
Dimensions	
Weight	27.3 kg without fixing flanges
Exposed surface	Side: 0.14m ² - Top: 0.30m ²
Mounting	Mounting with adjustable integrated flange (See available flanges section)
Gear tray	Integrated. Removable
Operating temp.	-40°C / +50°C (525mA) -40°C / +35°C (700mA)
Storage temp.	-40°C / +80°C
Main reference standards	EN 60598-1, EN 60598-2-3, EN 60598-2-5, EN 62471, EN 55015, EN 61547, EN 61000-3-2, EN 61000-3-3



ELECTRICAL CHARACTERISTICS

Rated voltage	220÷240V 50/60Hz (Standard tolerance +/-10%, other voltages and tolerances upon request)	
LED current	525mA 700mA	
Power factor	>0,9 (at full load)	
Mains connection	Cable H07RN-F 450/750V with quick release connector M/F IP66/68 for cables 3 x 2.5mm ² , D _{max} =12mm Optional: Cable FG7-OR 0.6/1kV	
Control system	F: Fixed power (base version) DA: Automatic dimming (virtual midnight) with default profile. DB: Dual power with control wire. DALI: Digital interface. PLM: Single point communication module. WL: Wireless single point communication module.	
Surge protection	Integrated SPD, 10kV-10kA. Pulse withstand ≥8kV CM/DM	
Optical unit lifetime (T_a=25°C)	525mA	700mA
	>70.000hr L80B10 (including critical fail.) >100.000hr L80, TM-21	>55.000hr L80B10 (including critical fail.) >100.000hr L80, TM-21

MATERIALS

Fixing	Galvanized and painted steel
Heat-sink	Die-cast aluminium UNI EN1706 with low copper content. Powder painted.
Body	
Gear tray body	
Optic	99.85% aluminium with a surface finish in 99.95% with vacuum-sealed deposition. Alluminum grade class A+ (DIN EN 16268)
Screen	Flat tempered glass, 4mm thickness.
Cable gland	Metallic, M20x1,5 – IP68
Gasket	Polyurethane

ASYMMETRICAL OPTIC

LUMINAIRE FLUX ¹ (Ta=25°C, 4000K, lm)		
LED MODULES	525mA	700mA
ASP-7W ASP-7N ASC-7W Optic		
7	29770	36560
8	33380	40940
9	37550	46060
ASP-6W ASP-6N ASC-6W Optic		
7	30110	36980
8	33760	41410
9	37980	46580
ASP-5W ASP-5N ASC-5W Optic		
7	30450	37400
8	34140	41880
9	38410	47100
ASP-4W ASP-4N ASC-4W Optic		
7	30620	37610
8	34330	42110
9	38620	47360

RATED LED FLUX ² (Tj=85°C, 4000K, lm)	
525mA	700mA
ASP ASC Optics	
35784	45276
40896	51744
46008	58212

Multiplier to obtain the **luminous flux** as a function of Ta and Tk.

Ta(°C)	Multiplier
50	0,94
40	0,96
25	1,00
15	1,02
5	1,04
0	1,05
Tk(K)	Multiplier
3000	0.92
4000	1.00
5700	1.03

Multiplier to obtain the **power** as a function of Ta.

Ta (°C)	Multiplier
50	0,99
25	1,00
0	1,01

Legend:

Ta = Ambient temperature.
Tk = Colour temperature.

RATED LUMINAIRE POWER ¹ (Ta=25°C, Vin=230Vac, W) F and DA at full load		
LED MODULES	525mA	700mA
ASP ASC Optics		
7	268,5	357
8	307	408
9	345	459

RATED LED POWER ² (Tj=85°C, W)	
525mA	700mA
ASP ASC Optics	
244	329
279	376
314	423

LUMINAIRE EFFICIENCY (Ta=25°C, lm/W)		
LED MODULES	525mA	700mA
ASP-7W ASP-7N ASC-7W Optic		
7	111	102
8	109	100
9	109	100
ASP-6W ASP-6N ASC-6W Optic		
7	112	104
8	110	101
9	110	101
ASP-5W ASP-5N ASC-5W Optic		
7	113	105
8	111	103
9	111	103
ASP-4W ASP-4N ASC-4W Optic		
7	114	105
8	112	103
9	112	103

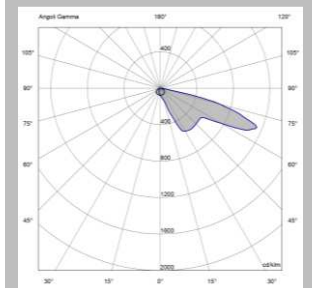
The tables above describe the flux and output power of the available versions. These parameters are necessary in order to guarantee a correct comparison of the luminaire performance.

In particular, the luminaire efficiency (expressed in lm/W) must be calculated as the ratio between the output luminous flux of the luminaire and the power absorbed by the input power supply unit.

For the sake of completeness the tables also show the data of the nominal flux and power of the used LED.

Note:

- 1:Rated data obtained in laboratory
- 2:Rated data extrapolated from LED manufacturer datasheet.



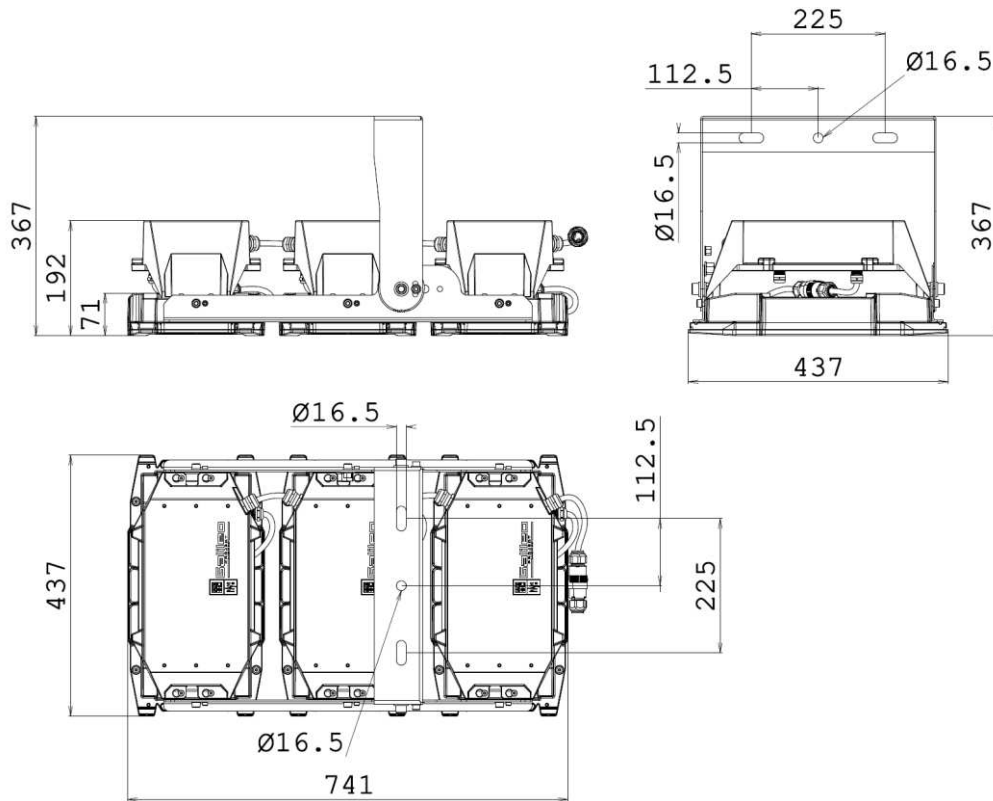
ASP-7W Optic

All the published photometrical data has been obtained according to EN 13032-1



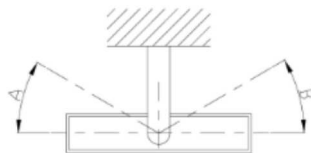
GALILEO 3

DIMENSIONAL DRAWINGS



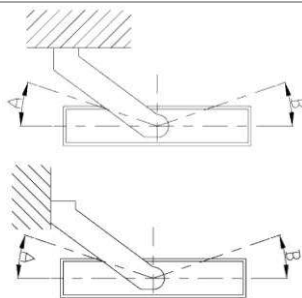
AVAILABLE FIXING FLANGES

BRACKET C – STANDARD



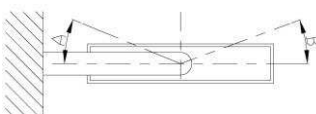
A = 15°
B = 15° 2.3 kg

BRACKET D – OPTIONAL



A = 25°
B = 25° 5.3 kg

BRACKET E – OPTIONAL



A = 5°
B = 15° 3.3 kg

The characteristics of the product listed above are subjected to change. They will have to be confirmed in case of order.

Values indicated in this technical sheet are to be considered rated values subject to a tolerance of +/-5%. Data listed above are subject to change without notice.

